



# GRACE

## 1500 x 1000 Offset Corner Whirlpool

WBGA00  
WBGA01

WHIRLPOOL BATHS

### FEATURES

- hb Logo
- Solid Construction
- 6 Directional Jets
- No Taphole
- Left or Right Hand Available
- White Only
- 5-Year Guarantee



Logo as it appears on product:

\*Left Hand version

### FINISHES AVAILABLE

- White (Left Hand) with panel
- White (Right Hand) with panel

WBGA00  
WBGA01

### INCLUDED COMPONENTS

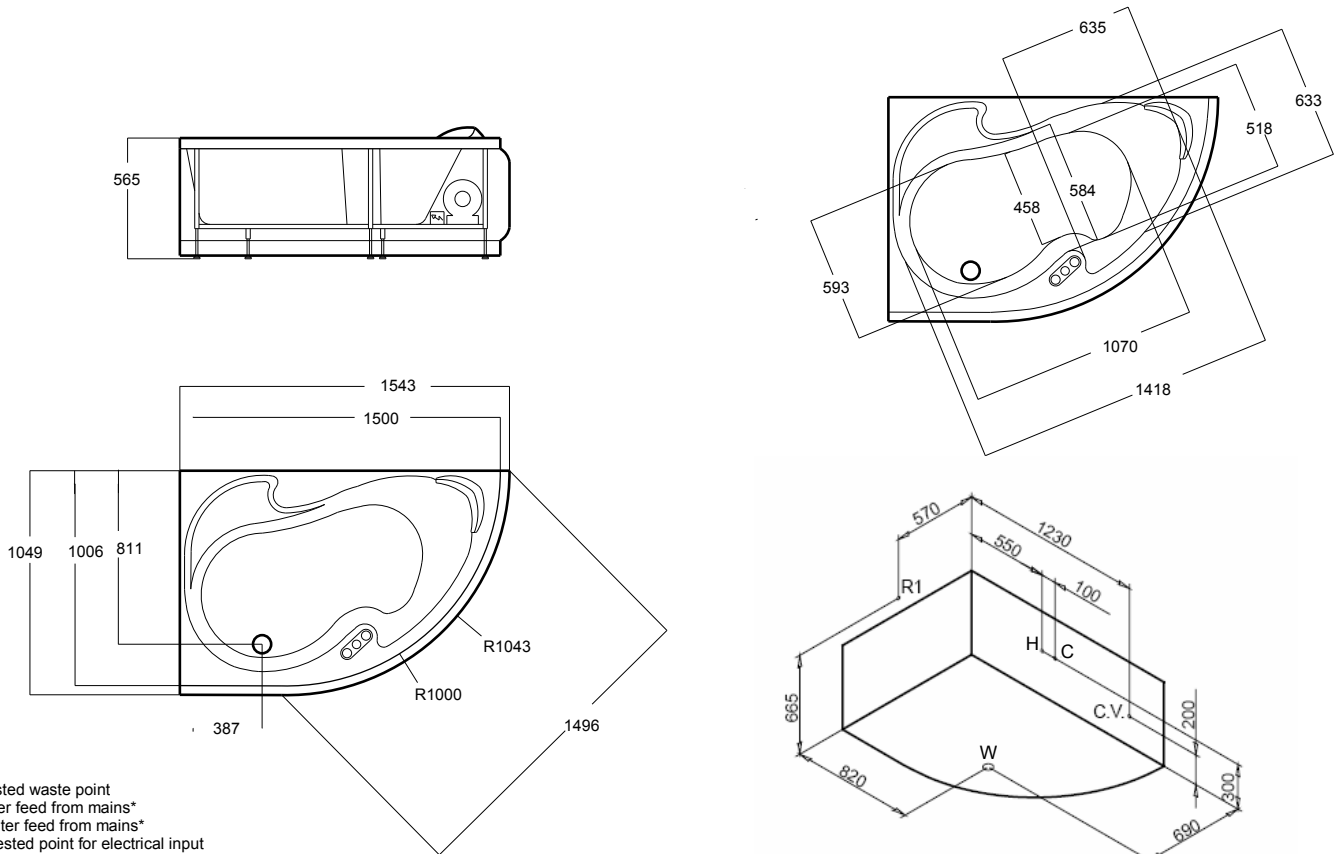
- Bathub
- Water Capacity 210 ltr
- Packed Weight 87kgs
- Size (actual) 1700 x 1160 x 670mm

### PRODUCT DETAILS

- Low noise level motors 75 db
- Manual controls to regulate air and water flow
- Individual adjustment of jet intensity
- Directional nozzles to target specific body areas
- Rigid steel frame structure

Recommended Floor Weight Bearing: 200kg/m<sup>2</sup>  
 Max Pump Delivery 300 Lpm

### DIMENSIONS



Key:  
 W = suggested waste point  
 H = Hot water feed from mains\*  
 C = Cold water feed from mains\*  
 C.V = Suggested point for electrical input  
 R1 = suggested point for wall mounted taps

\* = suggested dimensions if installing taps on wall side

Note: All dimensions shown are in mm

Left Hand version depicted in drawing