

TECHNICAL DATA SHEET

HERITAGE[®]
BATHROOMS

Heritage

Traditional Bottle Trap

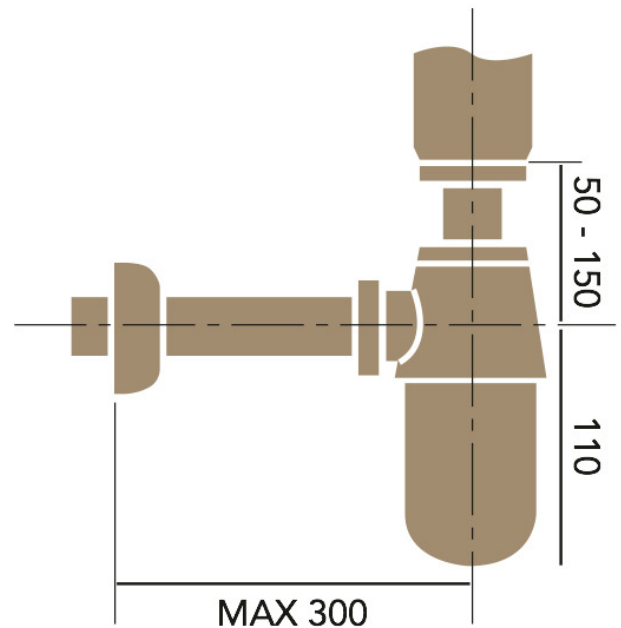
Product Specification

Product Code:	THRG19
Finish:	Rose Gold
Product Type:	Traditional
Construction:	Plated Brass
Dimensions:	300 (W) mm, 160 – 260 (H) mm



Additional Information

- Decorative waste for use with wall-mounted basins
- 5 Year Guarantee



Technical Advice: For further information please call 0844 701 8503 or email technical@heritagebathrooms.com.

Guarantee: 5 Year Guarantee covering manufacturing faults.

Heritage Bathrooms, Birch Coppice Business Park, Dordon, Tamworth, B78 1SG
Telephone: 0844 701 8501 Facsimile: 0844 701 8502
Web Site: www.heritagebathrooms.com Email: technical@heritagebathrooms.com


delivery to showroom


5
YEAR
GUARANTEE

DI

The information contained on this page was correct at date of issue. Fitting dimensions are provided as a guide only. Some variation may occur due to manufacturing tolerances. Heritage Bathrooms pursues a policy of continuing improvement in design and performance of its products and so reserves the right to change specifications without prior notice.